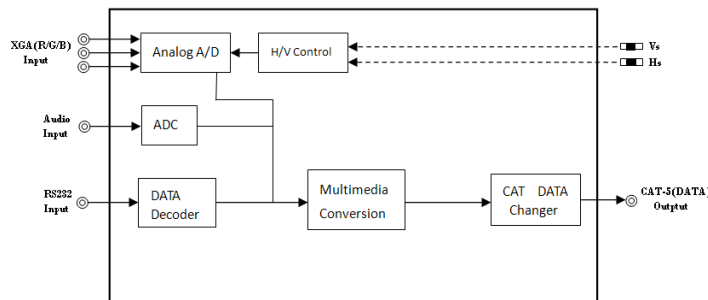


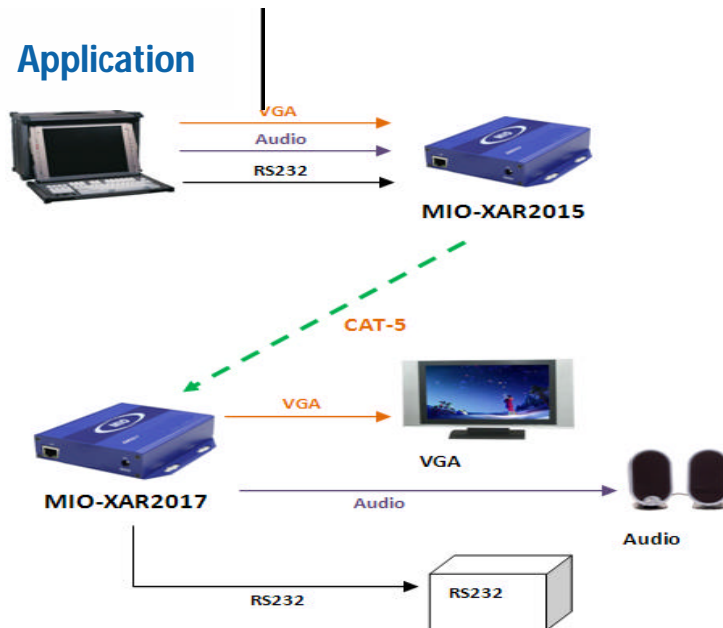
### Description

MIO-XAR2015 VGA\Audio\RS-232 signal transmitter transforms VGA, Audio and RS232 signals to one channel data, and transmits by CAT-5. It can be connected with MIO-XAR2017 receiver to restore VGA, Audio and RS-232 without any distortion in long distance transmission.

### Block Diagram



### Application



### Ordering Information

MIO XAR-2015	VGA/Audio/RS232 signal transmitter
MIO XAR-2016	VGA/Audio/RS232signal distribution transmitter
MIO XAR-2017	VGA/Audio/RS232signal receiver

### Key Features

Unique mini box structure; can be installed on the video wall or on the back of racket.

The max resolution is 1280\*1024; the longest transmission distance is 330m, the transmission image with no distortion, good stability, high anti-interference ability.

The output line-field pulse signal adjustable

Within 100 meters, electrify transmitting terminal or sending terminal, the other side can work with a reticule.

### Specifications

Input features:

Inputinterface: 1\*RGB, D-sub connection

1\* Audio, 3.5 mm stereo

1\*RS232, 2 pin interface

Standard level: 1.0Vp -p

Impedence: 75Ω

Output features:

Output interface: 1\*CAT-5

Interface type: RJ45 standard interface

Bandwidth: 350MH (-3db) fully loaded

Physics:

Size: 120 X 95 X 27 mm

Power: DC 7V 1.8A

Control and indicator:

Line-field phase adjustable/power status indicator/CAT-5 signal status indicator