

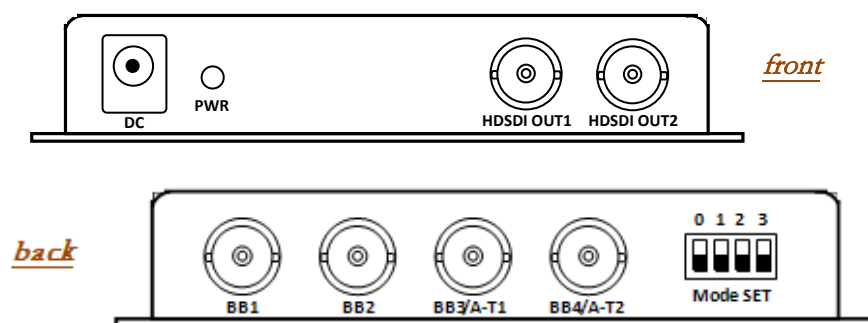
Description

Based on Mini BOX platform, MIO-TSG-HD can generate two international test pattern by the HD digital interfaces, also supply those outputtings: two black burst generated by inner crystal oscillator, two channel CVBS signals (also be set as black burst). The cost effective greatly meets the requirements of many and many broadcast system.

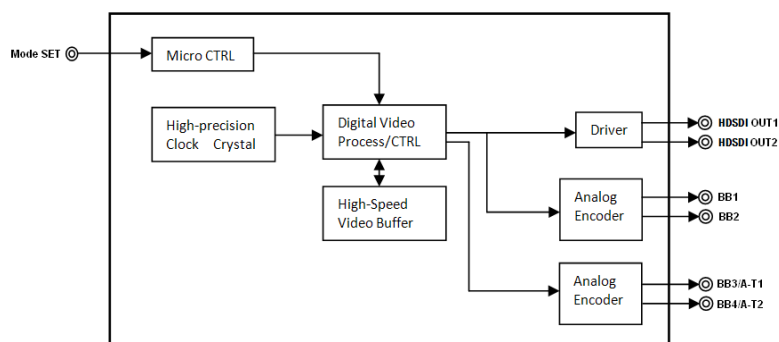
The lights on the Mini box indicate the states of source signal and power, so as to let the user know the information immediately.

Be known for compact function, the converter is widely used in variety of environments, like studio, broadcast, etc.

Interface (Refer to real product)



Block Diagram



Key Features

- Supply black burst and analog/digital test pattern
- Broadcast quality with 20 bit processing
- Inner international standard test pattern
- Indicate lights tell the states of source signal and power immediately
- Based on Mini BOX platform, with high performance, widely used in the fields of studio, broadcast and other places

Specification

Analog Video Output:

Output interface: 2*BB, BNC connector
2*BB/A-T (Analog test signal)
Impedance: 75ohms

Digital Video Output:

Output interface: 2*HD/SD-SDI, BNC connector
Impedance: 75ohms
Format: SMPTE 259M-C; 270Mb/s
SMPTE 259M-C; 270Mb/s
Amplitude: 800mV ±5%
Jitter: <0.2UI

Status Indication:

Power states (Indicate by shining or extinguishing of the red and green LED)

Physics:

Power: 9VDC 1.6A
Size: 123mm*92mm*29mm

Ordering Information

MIO-TSG Sync. and test signal generator
MIO-TSG_HD HD-SDI sync. and testing signal generator