

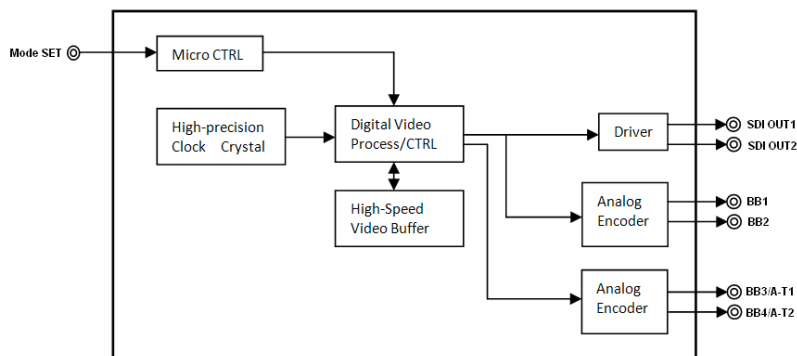
Based on Mini BOX platform, MIO-TSG can generate two international test pattern by the digital interfaces, also supply those outputtings: two black burst generated by inner crystal oscillator, two channel CVBS signals (also be set as black burst). The cost effective greatly meets the requirements of many and many broadcast system.



### Function characteristics

- Supply black burst and analog/digital test pattern
- Broadcast quality with 12 bit processing
- Inner international standard test pattern
- Indicate lights tell the states of source signal and power immediately
- Based on Mini BOX platform, with high performance, widely used in the fields of studio, broadcast and other places

### Principle diagram and connect Interface



### Specification parameter

#### Analog Video Output:

Output interface: 2\*BB, BNC connector  
2\*BB/A-T (Analog test signal)  
Impedance: 75ohms

#### Digital Video Output:

Output interface: 2\*SDI, BNC connector  
Impedance: 75ohms  
Format: SMPTE 259M-C; 270Mb/s  
Amplitude: 800mV ± 5%  
Jitter: <0.2UI

#### Status Indication:

Power states (Indicate by shining or extinguishing of the red and green LED)

#### Physics:

Dimension 124.5mm x 116.5mm x 30mm  
Power 11-13VDC 1.5A

### Ordering information

**MIO TSG** Sync. and test signal generator  
**MIO TSG\_HD** HD-SDI sync. and testing signal generator